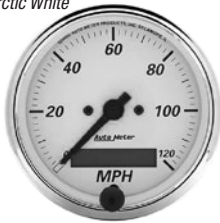


Arctic White



Speedometer Sending Unit

Designers Black



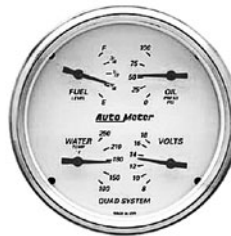
Golden Oldies



STREET ROD SERIES with vintage style dome lens (cont)

1601 Old Tyme mechanical speedometer, chrome bezels, white face, black needles **\$259.00**

1602 Old Tyme electronic speedometer, gold bezels, white face, black needles **\$309.00**



AUTOMETER GAUGE KITS

STREET ROD SERIES with vintage style dome lens

These gauge sets use "around-the-dial" lighting with either red or green tinted bulbs. Includes 3-1/8" electronic or mechanical speedometer and 2-1/16" oil pressure, water temperature, voltmeter, & fuel gauges. All necessary sending units are included. Fuel sender may not work with all stock fuel tanks. Electronic speedometer sender sold separately.

- 1300 Arctic White mechanical speedometer, chrome bezels, white face, red needles **\$259.00**
- 1302 Arctic White electronic speedometer, chrome bezels, white face, red needles **\$299.99**
- 1808 Antique Beige mechanical speedometer, chrome bezels, Tan face, black needles **\$259.00**
- 1809 Antique Beige electronic speedometer, chrome bezels, Tan face, black needles **\$328.99**
Matching Tach. **\$95.00**
- 5291 Hall Effect Speedometer Sender Most GM/Chry. . . **\$72.99**
- 5292 Hall Effect Speedometer Sender Ford Plug-in . . . **\$72.99**

STREET ROD FIVE INCH QUAD SERIES

- 1303 Arctic White electronic Quad/Speed set, 5" . . . **\$469.99**
- 1399 Arctic White tachometer, 5" **\$141.99**
- 1403 Designer Black electronic Quad/Speed set, 5" . **\$477.99**
- 1499 Designer Black tachometer, 5" **\$139.99**



1932 Ford



1940 Ford



1941-48 Chevy



1942-48 Ford



1953-54 Chevy



RODTECH GAUGE PANELS

Machined aluminum panel. Gauges not included.

- 1932-39 Ford Gauge Panel **\$130.00**
- 1934, 1937 Ford Glove Box door **\$130.00**
- 1935-36 Ford Clock Panel **\$40.00**
- 1937 Ford Clock Panel **\$75.00**
- 1940 Ford Car-1940-47 Pick-up, includes turn lights . . **\$185.00**
Clock Panel. **\$70.00**
- 1942-48 Ford Gauge Panel **\$95.00**
Mounting Kit. **\$50.00**
Mounting Kit Tach/Speedometer **\$90.00**
- 1937-39 Chevy **\$130.00**
1937-38 Glove Box. **\$135.00**
1937-38 Clock Panel **\$65.00**
- 1941-48 Chevy **\$180.00**
- 1953-54 Chevy, includes turn lights **\$135.00**
- Dash Knobs each **\$10.00**
- Dash Knob W/Bezel each **\$17.00**
- Knob/Bezel set for A/C Switches **\$30.00**
- Turn Indicator Lights Additional when not included **\$10.00**

BOESE GAUGE PANELS

Machined aluminum panel. Gauges and factory chrome trim not included.



1955-56 Chevy

- 1932-40 Ford **\$109.95**
- 1942-48 Ford Gauge Panel, includes Auto Meter black or white Old Tyme gauges. Mounts from behind. Does not include trim . **\$289.95**
- 1942-48 Ford Speedometer Insert, includes Auto Meter black or white Old Tyme 5" electronic speedometer Mounts from behind. Does not include trim. **\$345.00**
- 1934-50, 1953-55 Ford Pick-up **\$109.95**
- 1951-52 Ford Pick-up **\$99.95**
- 1936 Chevy for 3-3/8" quads **\$99.95**
- 1937-39 Chevy **\$99.95**
- 1937-38 Chevy Glove Box **\$99.95**
- 1940 Chevy **\$145.95**
- 1941-48 Chevy 4 gauge panel. **\$85.95**
- 1941-48 Chevy 5" Speedometer insert. **\$79.95**
- 1941-48 Chevy 5" Tach insert. **\$79.95**
- 1947-53 Chevy Pickup 5" Quads. **\$99.95**
- 1951-52 Chevy 5" Quads. **\$124.95**
- 1953-54 Chevy **\$109.95**
- 1955-56 Chevy, for 3-3/8" quads **\$109.95**
- 1957 Chevy **\$139.95**

Gauges and Dash Panels



FORD MOTORSPORT MASTERPIECE

Includes all gauge senders, Electric Speedometers may require sender 5291 or 5292. Features Vintage-Style Domed Lens

- M-19017-B961 Chrome Bezel Series \$399.00**
- Matching Tach. \$102.00**



BITCHIN' "DESIGNER DASHES"

Available for '37 to '48 Fords and '37 to '48 Chevys. Replace your original dash with a clean, simple design that you can personalize into your own unique dashboard.

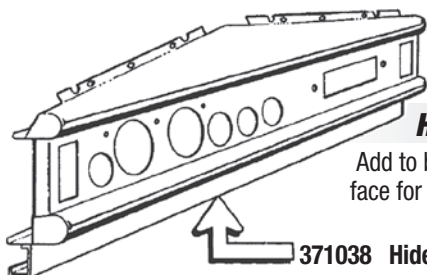
- 371032 1937-39 Ford \$275.50**
- 401015 1940 Ford. \$275.50**
- 421078 1941- 48 Ford \$275.50**
- 737195 1937-39 Chevy. \$275.50**
- 740118 1940 Chevy \$275.50**
- 742120 1941-48 Chevy. \$275.50**



BOESE UNIVERSAL GAUGE PANELS

Machined aluminum panels with turn signals and high beam lights.

- 92169 Universal 2-1/16" and one 3-1/8" hole . . . \$79.95**
- 92169 Universal 2-1/16" and two 3-1/8" holes . . . \$79.95**
- 92175 Universal three 3-3/8" holes \$79.95**



HIDE-A-SWITCH PANEL

Add to bottom of dash with 2" or 3" face for switch or other accessories. 47" and 60" for wider cars.

- 371038 Hide-a-switch \$42.50**



POWER WINDOW SWITCH RELAY

If you want to use your original power window switches with these conversion kits, the polarity of the switches must be reversed. These Nu-Relic relays make it easy.

- PW relay \$30.00**

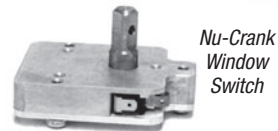


1934 Ford Front Window

1949-51 Ford Front Window



Nostalgic Switches



Nu-Crank Window Switch

NU-RELICS POWER WINDOW KITS

These kits are car specific and bolt to the original mounting holes and use the stock channels • Many have the option to remove the vent window • New American made Delco OEM Motors • Made of 1018 cold roll steel • Brass oilite thrust bearings at pivots • Gear plate teeth are hardened with cryogenics for longer life • Kits include standard chrome or black switches/wire harness and conduit • Nostalgic or Nu-Crank switches available • Lifetime warranty

Model A, 1932 Ford Coupes and Sedans, 1933-34 Ford Coupes and Sedans, 1936-40 Ford Coupe, Sedan and Convert., 1941-48 Ford Coupe and Sedan, 1949-66 Ford HTs and Converts. 1964-70 Mustang, 1928-79 Ford Trucks, 1930-48 Chevy Coupes & Sedans, 1949-57 Chevy HTs, Sedans, Convertibles, 1958-76 Impala, Camaro, Chevelle, Nova, 1936-87 Chevy Trucks

Also available for Corvettes, T-Birds, Mopar, Studebakers

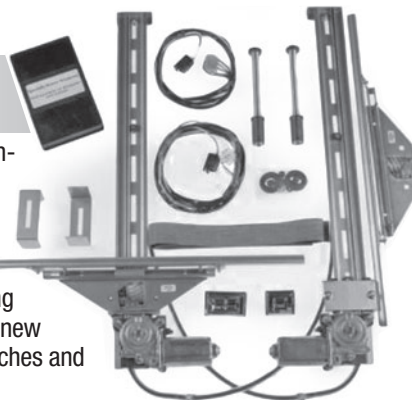
- Most Two Door Window Conversions start at \$435.00**
- Most Four Door Window Conversions start at \$850.00**

Specify chrome or black switches

- Nostalgic Chrome Switches- 2 window w/harness \$225.00**
- Nu-Crank Switches- pair, add \$30 for harness \$178.00**

SPECIALTY POWER WINDOWS

Specialty Power Window conversions include full printed and video instructions, hardware, and necessary templates, as well as GM switches and a full wiring harness. We use only brand new GM cable drive motors, switches and components.



- Tall T & Model A Two Door Conversions start at \$405.00**
- Street Rod/Universal Two Door Conversions start at . . \$405.00**
- Most Four Door Window Conversions start at \$775.00**
- 1955-57 Chevy HT 4 Window Conversions. \$775.00**
- 1955-57 Chevy Two Door Conversions \$405.00**
- 1967-69 Camaro Coupe 4 Window Conversions \$815.00**
- 1964-72 Mid-size GM HT 4 Window Conversions \$815.00**

Gauges, Dash Panels, Power Windows