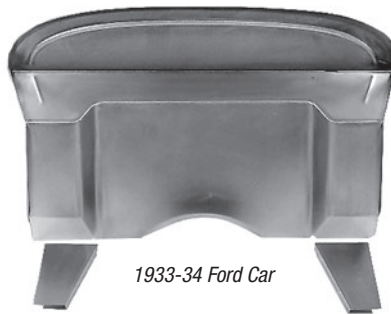


BITCHIN' PRODUCTS FIREWALLS AND FLOORS



1932 Ford Car



1933-34 Ford Car



1937-40 Ford Car

FIREWALLS FOR 1928-48 FORD CARS & PICKUPS

FORD CARS small block		big block
1928-29	281000 . . . \$275.00	
1930-'31	301005 . . . \$355.00	301000 \$355.00
1932	321040 . . . \$342.00	321042 \$355.00
1933-34	331051 . . . \$342.00	331008 \$375.00
1935-36	351071 . . . \$342.00	351010 \$375.00
1937-40	371030 . . . \$342.00	371012 \$375.00
1941-48	421000 . . . \$295.00	421002 \$310.00

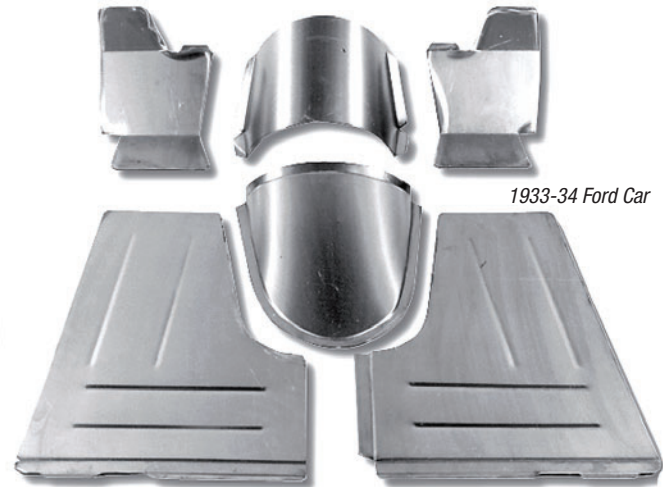
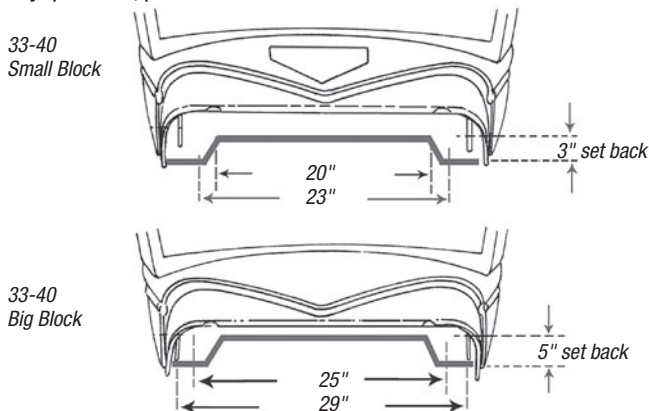
FORD PICKUPS	
1932	321040 . . . \$375.00 321042 \$375.00
1933-34	331000 . . . \$342.00 no set back- flat
1935-36	351000 . . . \$342.00 3" set back
1937	371000 . . . \$342.00 3" set back
1940-47	401000 . . . \$342.00 2" set back

CHEVY CARS	
1937-39	737105 . . . \$320.00 737107 \$320.00
1940	740104 . . . \$300.00 740106 \$300.00
1941-48	742108 . . . \$320.00 742110 \$320.00
1949-52	749100 . . . \$390.00 small or big block- 4.5" set back
1953-54	753100 . . . \$390.00 small or big block- 4.5" set back

CHEVY PICKUPS	
1947-54	751000 . . . \$370.00 small or big block- 3" set back
1955-59	752100 . . . \$440.00 small or big block- 4" set back

TECHNICAL INFORMATION

The set back information provided is for reference only. The descriptions are intended to help you to determine which firewall kit will best fit your application. Be sure to check all measurements before ordering your kit. There are many factors which will affect your choice, engine setback, radiator core thickness, air conditioning or super chargers. If you have any questions, please call.



1933-34 Ford Car

BITCHIN' PRODUCTS FLOORBOARD KITS

To complete the restoration of your 1928 to 1948 Ford you will want to install one of these kits which will certainly cure those rusted out floor pan blues. All parts are made to fit with minimum trimming and will give a solid base to mount your seats. There is adequate clearance for the GM Turbo 350/400 series transmissions and kits include all sheet metal parts, hardware, instructions and body sealer needed to complete installation in a professional manner.

FORD FRONT FLOOR KITS

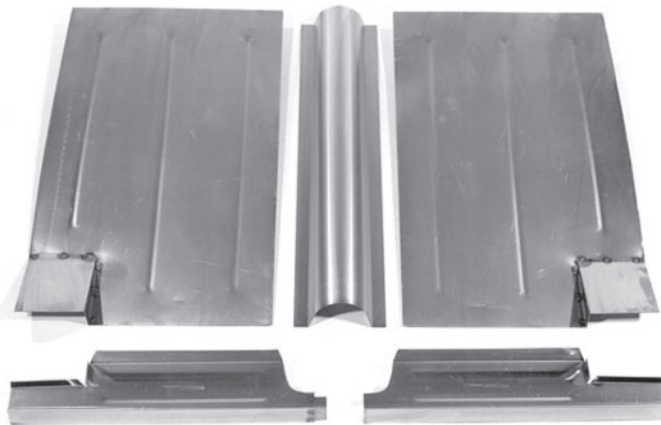
281005	1928-'31 Front Floor	\$155.00
281006	1928-'31 Complete Floor Kit	\$270.00
321041	1932 Front Floor specify small or big block.	\$282.00
331053	1933-34 Front Floor small, big block.	\$282.00
351014	1935-36 Front Floor small, big block.	\$288.00
351073	1937-40 Front Floor small, big block.	\$288.00
421001	1941-48 Front Floor small, big block.	\$252.00

CHEVY FRONT FLOOR KITS

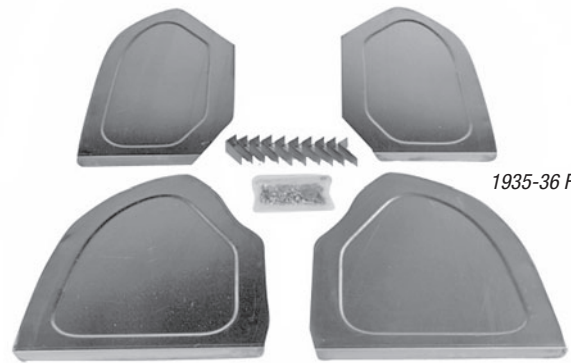
737126	1937-39 Front Floor small, big block.	\$288.00
740110	1940 Front Floor small, big block	\$282.00
742112	1941-48 Front Floor small, big block.	\$280.00
749108	1949-52 Front Floor to front seat riser	\$312.00
749120	1949-52 Front Floor to under front seat	\$468.00
753105	1953-54 Front Floor to front seat riser	\$300.00
753110	1953-54 Front Floor to rear seat riser	\$468.00

Steel Firewall and Floor Repair Panels

BITCHIN' PRODUCTS FLOORS AND ACCESSORIES



1933-34 Ford Car



1935-36 Ford Car

BITCHIN' PRODUCTS REAR FLOORBOARD KITS

FORD REAR FLOOR KITS

281006	1928-'31 Complete Floor Kit	\$270.00
321080	1932 3W Rear Floor Kit	\$342.00
321085	1932 SW, Roadster Rear Floor Kit.....	\$342.00
321088	1932 2-DR Sedan Rear Floor Kit.....	\$342.00
321090	1932 4-DR Sedan Rear Floor Kit.....	\$342.00
321112	1932 Cabriolet Rear Floor Kit.....	\$342.00
331064	1933-34 Rear Floor Kit	\$415.00
331064	1934 Victoria Rear Floor Kit.....	\$135.00
351049	1935-36 Sedan Rear Floor Kit.....	\$258.00
351050	1935-36 Coupes, Cab. Rear Floor Kit....	\$294.00
351085	1935-36 Sedan Trunk Floor Kit.....	\$270.00
351090	1935-36 Coupes, Cab. Trunk Floor Kit...	\$270.00
351073	1937-40 Rear Floor Kit	\$180.00
371062	1937-38 Cabriolet Trunk Floor Kit	\$300.00
371055	1939 Convertible Trunk Floor Kit	\$306.00
371050	1937-38 Standard Coupe & Sedan Trunk Floor Kit.....	\$384.00
371060	1939-40 Standard & Deluxe Trunk Floor Kit.....	\$425.00
371065	1939-40 Coupe & Deluxe Trunk Floor Kit..	\$425.00
421034	1941-48 Rear Floor Kit	\$258.00
421090	1941-48 Rear Seat Riser Kit	\$222.00
421084	1941-48 Trunk Floor Kit	\$150.00

CHEVY REAR FLOOR KITS

	1937-39 Sedan & Coupe Rear Floor Kit... \$Call	
	1937-39 Sedan & Coupe Trunk Floor Kit... \$Call	
742112	1941-48 Sedan, Coupe & Convertible Rear Floor Kit	\$Call
742112	1941-48 Sedan, Coupe & Convertible Trunk Floor Kit.....	\$Call
742112	1941-48 Sedan & Coupe Trunk Floor Kit... \$Call	
749108	1949-52 Front Floor to front seat riser	\$312.00
749120	1949-52 Front Floor to under front seat	\$468.00
753105	1953-54 Front Floor to front seat riser	\$300.00
753110	1953-54 Front Floor to rear seat riser.....	\$468.00

BITCHIN' PRODUCTS STONE GUARD KITS

Kits complete with all parts, hardware and instructions ready to install. In addition to serving as fender braces, Bitchin' Products Stone Guards will prevent stone dents that often occur in the back section of the fenders.

351043	1935-36 Ford Passenger Car	\$175.00
351022	1937-38 Ford Passenger Car	\$175.00
391010	1939 Ford Standard Passenger Car	\$175.00
391003	1939 Ford Deluxe & 1940 Pass. Car	\$175.00



BATTERY BOX AND MOUNTS

Designed for Group 71 or Group 42 batteries with either top or side mount cables. Provides a safe, positive battery hold down, adequate ventilation and cable protection. The universal brackets can be flush floor mounted, side mounted or mounted half way thru the floor.

901006	Bitchin' Group 71 Battery Box Kit	\$75.50
901020	Bitchin' Group 42 Battery Box Kit	\$75.50
801020	Optima Battery Box, Billet Specialties.....	\$79.95
	Detroit Speed Optima Battery Mount.....	\$139.95



BITCHIN' "DESIGNER DASHES"

Available for '37 to '48 Fords and '37 to '48 Chevys. Replace your original dash with a clean, simple design that you can personalize into your own unique dashboard.

371032	1937-39 Ford	\$275.50
401015	1940 Ford	\$275.50
421078	1941- 48 Ford	\$275.50
737195	1937-39 Chevy	\$275.50
740118	1940 Chevy	\$275.50
742120	1941-48 Chevy	\$275.50